

Assembly Instructions

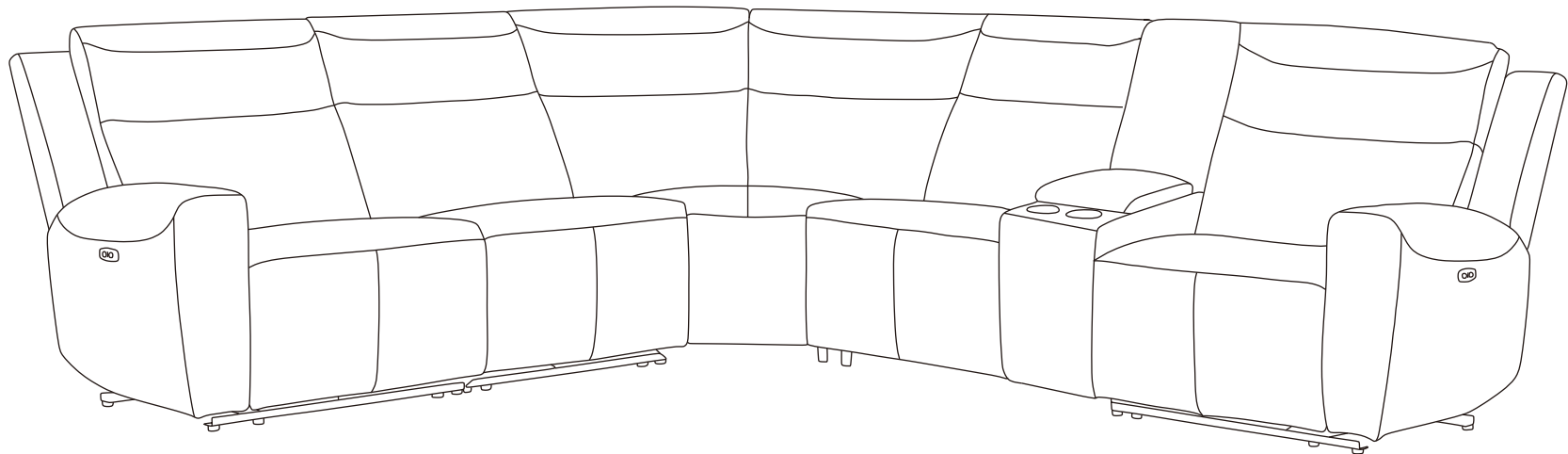
Item: SH3411

Power Left Arm Recliner, power headrest
Power Right Arm Recliner, power headrest
Power Armless Chair Recliner, power headrest
Armless Chair
Corner Wedge
Console

SKU:

SH3411FMT-LRPWH
SH3411FMT-ARPWH
SH3411FMT-CR
SH3411FSN-LRPWH
SH3411FSN-ARPWH
SH3411FSN-CR

SH3411FMT-RRPWH
SH3411FMT-AC
SH3411FMT-CN
SH3411FSN-RRPWH
SH3411FSN-AC
SH3411FSN-CN

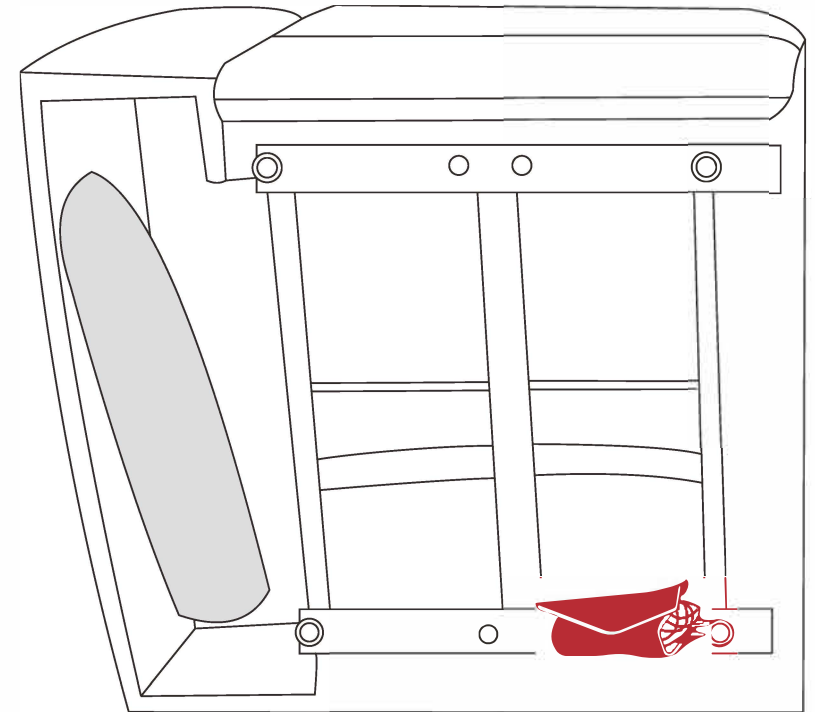


Preparations

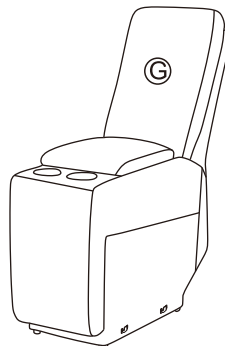
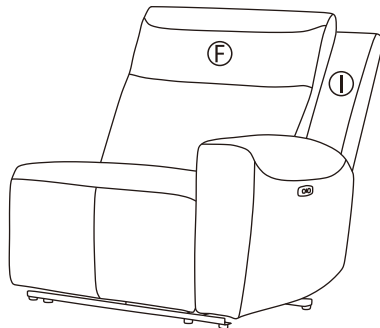
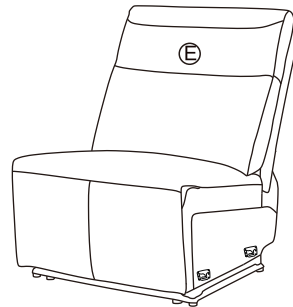
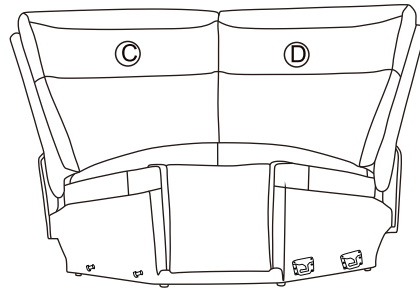
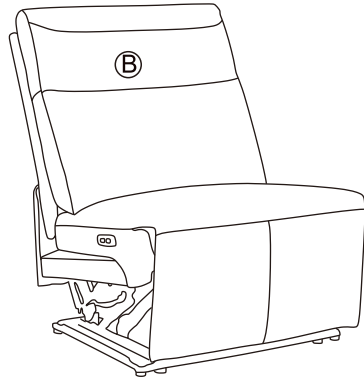
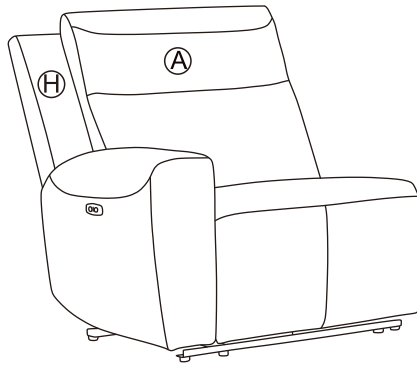
Pre-Assembly Preparations

Thank you for choosing our product, please read this instruction carefully before assembly.

First, to avoid damage to the product, please make sure you have a large and clean place to assemble. Second, please check all the parts according to the list on the next page.



List of Parts

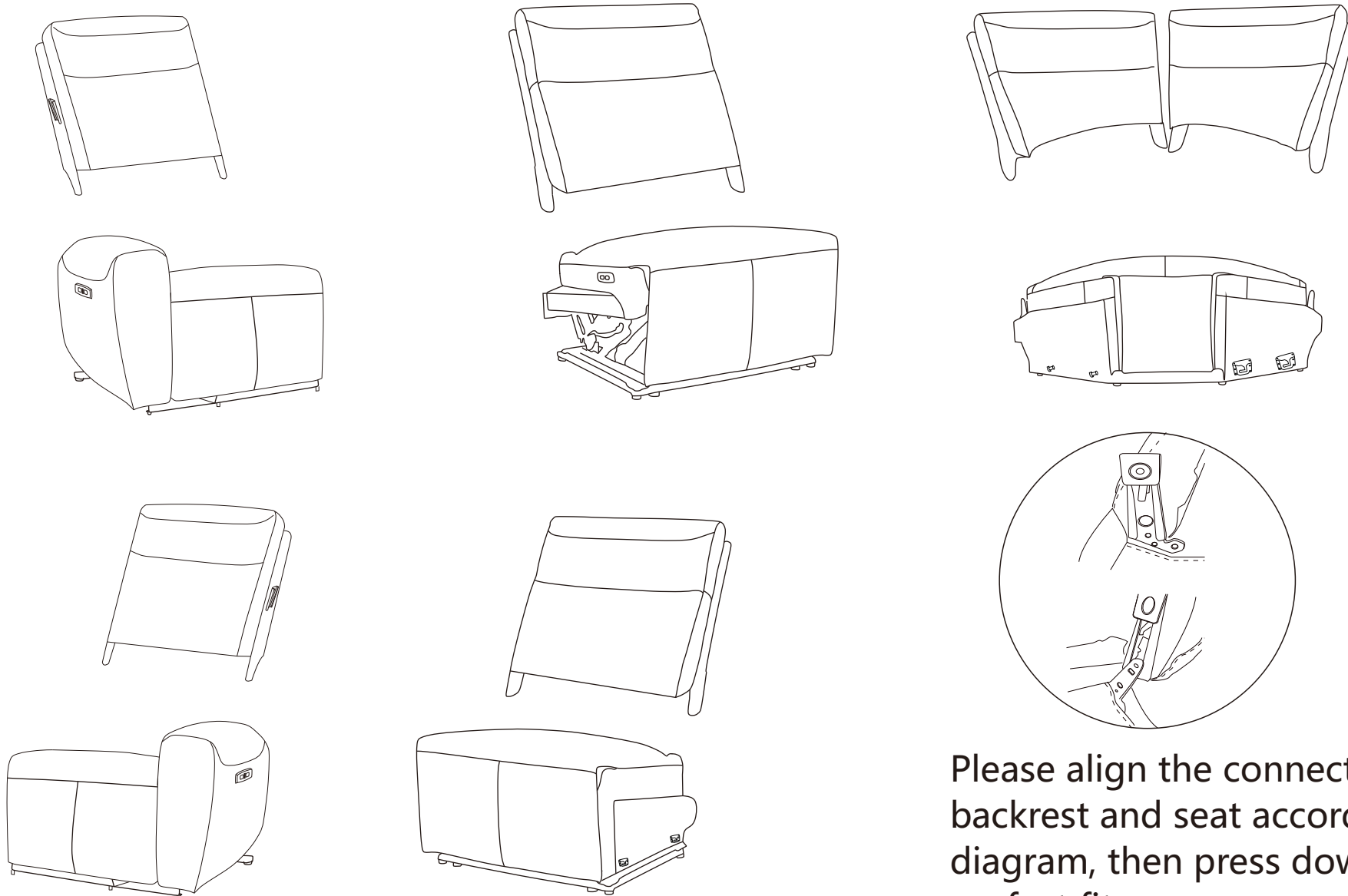


List of Parts

NO.	Schetch	Description	QTY
A		Back (L)	1
B		Back(Armless Recliner)	1
C		Back (Corner L)	1
D		Back (Corner R)	1
E		Back(Armless Chair)	1
F		Back (R)	1
G		Back (Console)	1
H		Wing(L)	1
I		Wing(R)	1

ASSEMBLY INSTRUCTIONS

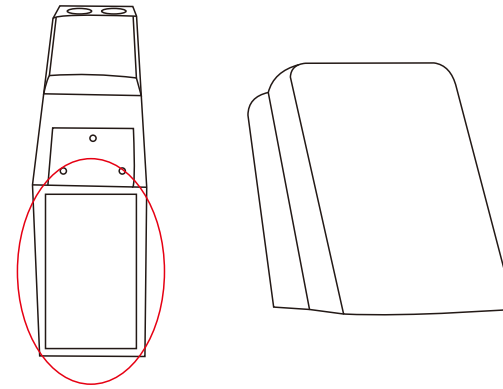
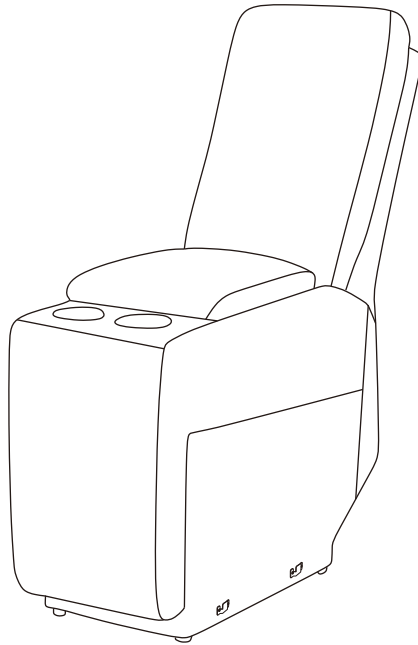
STEP 1 Attaching the Backrest to the Body



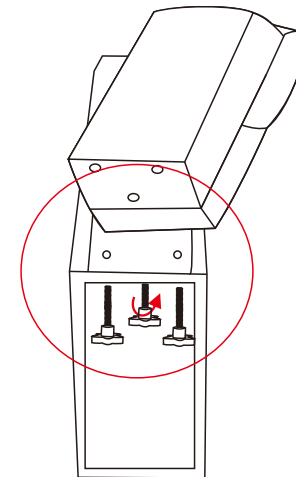
Please align the connectors of the backrest and seat according to the diagram, then press down to ensure a perfect fit.

ASSEMBLY INSTRUCTIONS

STEP 2

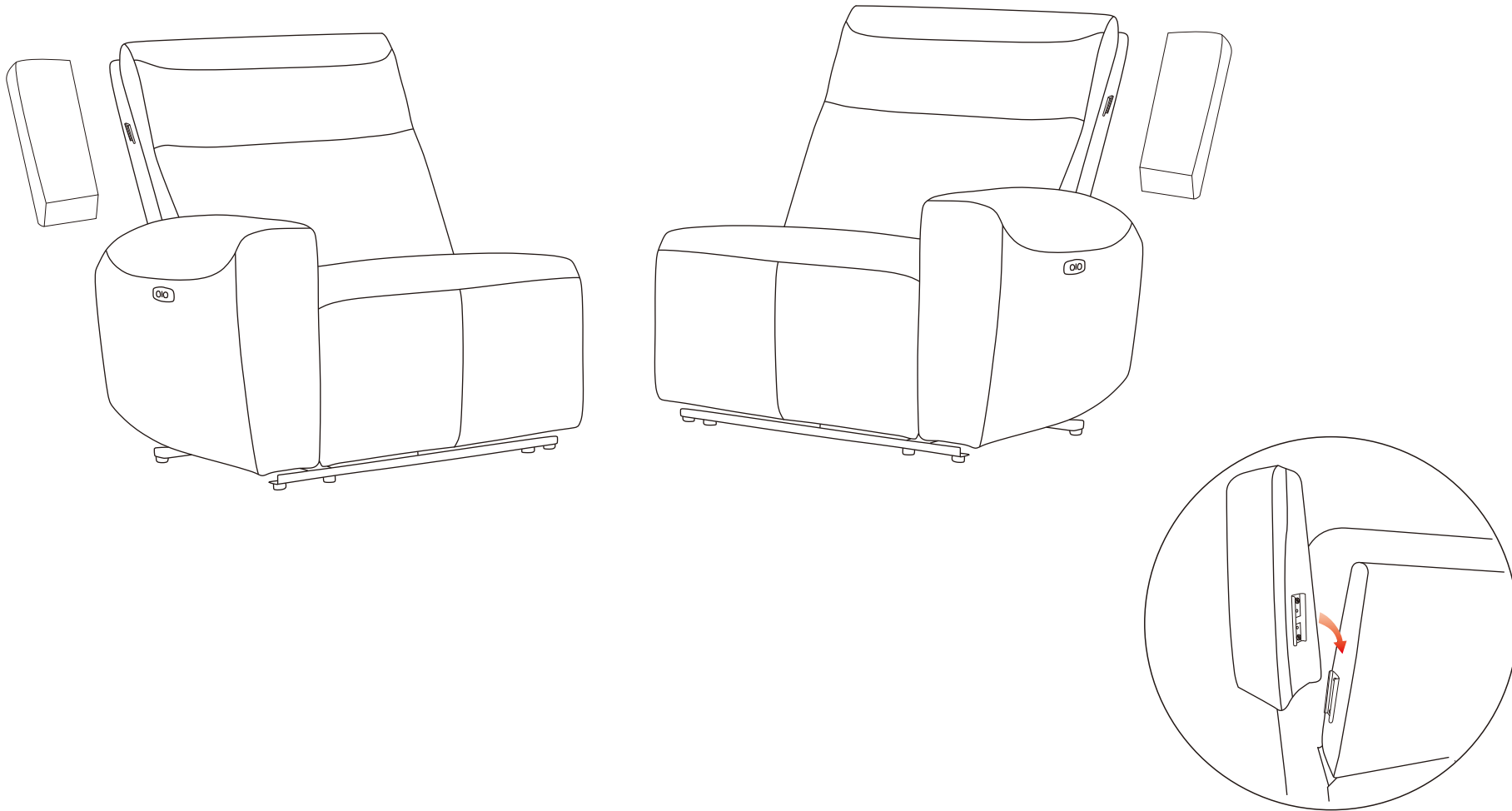


Please take out the Back(Console) from the bottom of the console.
Align the holes of the Back and console,
then tighten the screws in a clockwise direction.



ASSEMBLY INSTRUCTIONS

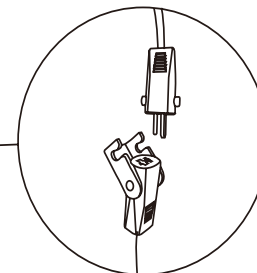
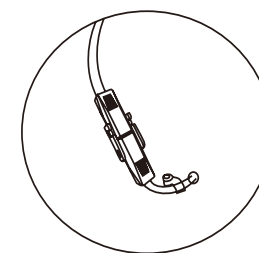
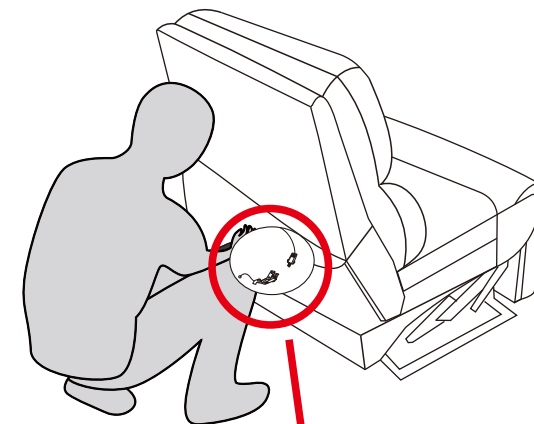
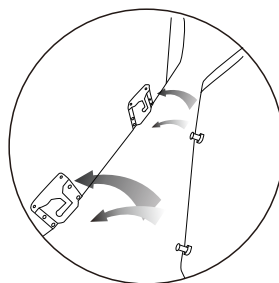
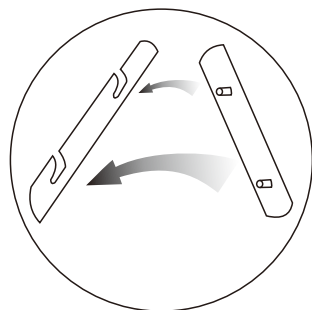
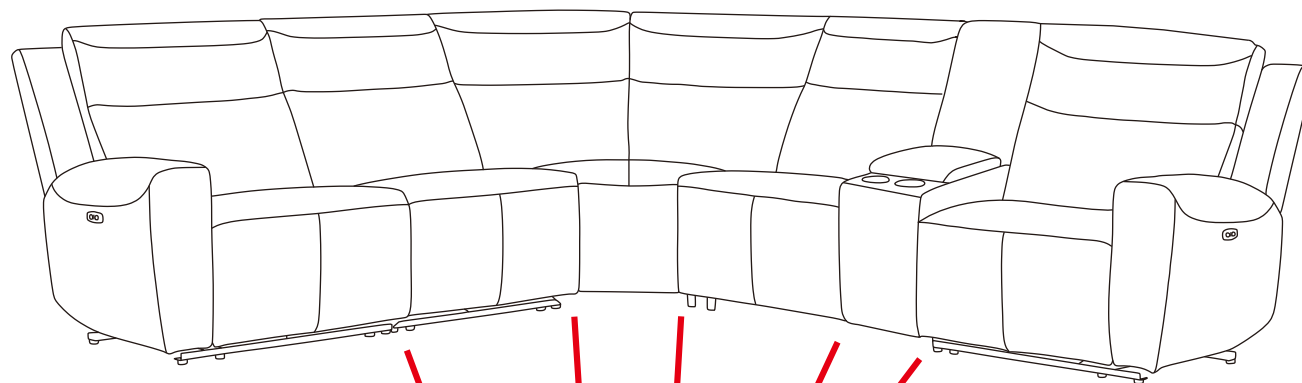
STEP 3



Please connect the backrest and the wing according to the diagram.

ASSEMBLY INSTRUCTIONS

STEP 4/5/6

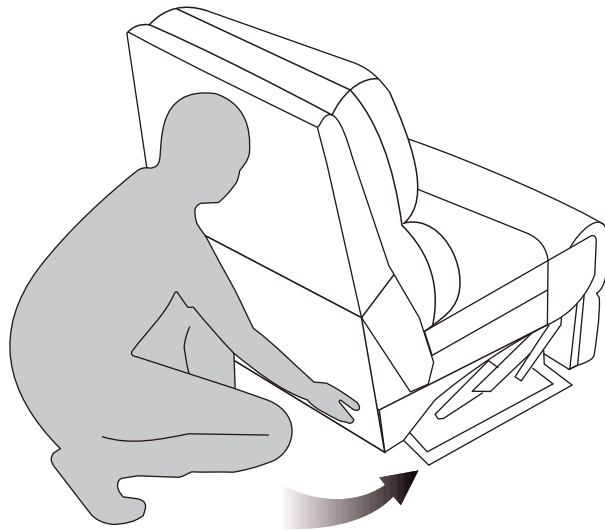


Align the connectors and connect all the items together, according to the diagram, then press down to ensure a perfect fit. Please be careful to avoid the damage to the sofa.

Please check and connect the power port of seat motor and headrest motor, make sure secure the protector.

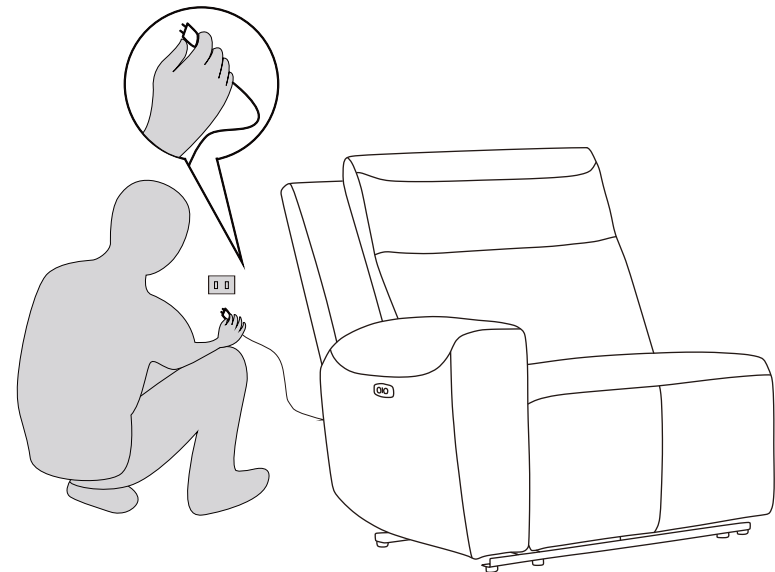
ASSEMBLY INSTRUCTIONS

Fasten the Velcro

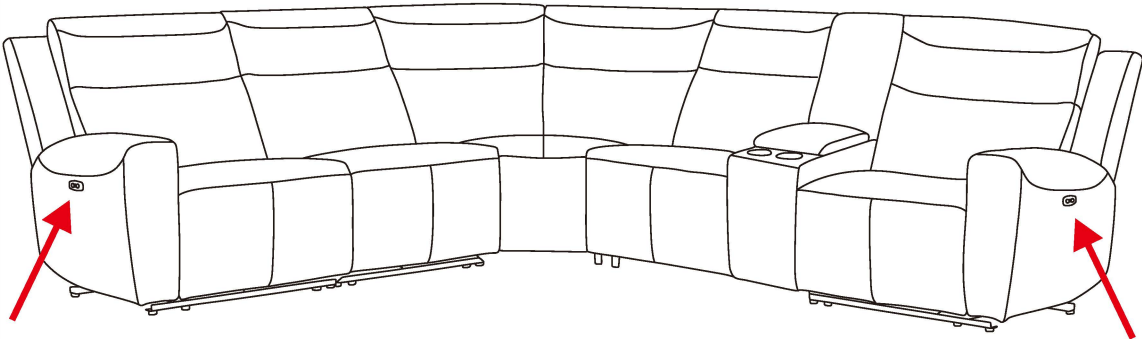
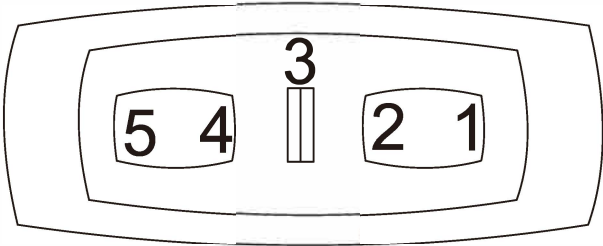


Attach the Velcro on the back of the sofa

Connect the power supply



POWER CONNECTIONS



Location	Function
1	Seat Forward
2	Home Button
3	USB Port
4	Headrest Forward
5	Headrest Backward