

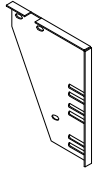


HOMELEGANCE

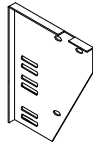
# ASSEMBLY INSTRUCTION

BF-1MT-EK/BF-1MT-CK  
EK/CK PLATFORM FRAME

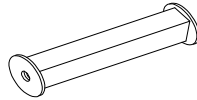
## PART LIST:



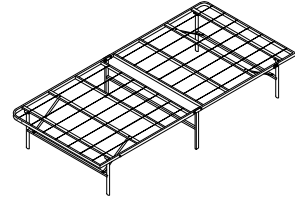
A:RSF Metal Plate  
1PC



B:LSF Metal Plate  
1PC

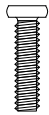


C:Support Tube  
2PCS



D:Bed Frame  
2PCS

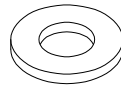
## HARDWARE SET:



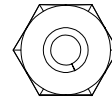
E:Bolt  
M6\*25MM  
X 14PCS



F:Bolt  
M6\*15MM  
X 2PCS



G:Washer  
Ø16MM  
X 10PCS



H:Nut  
M6  
X 4PCS



I:Wing Nut  
M6  
X 8PCS

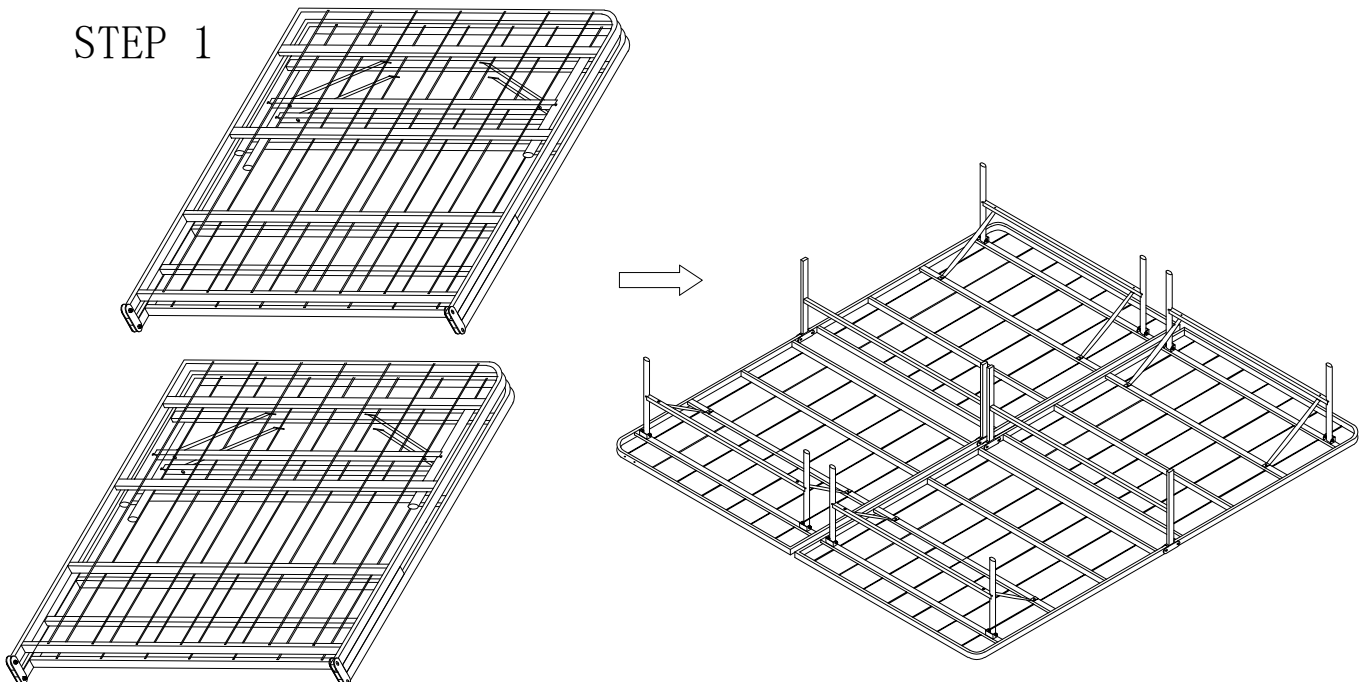


J:Wrench  
6MM  
X 1PC



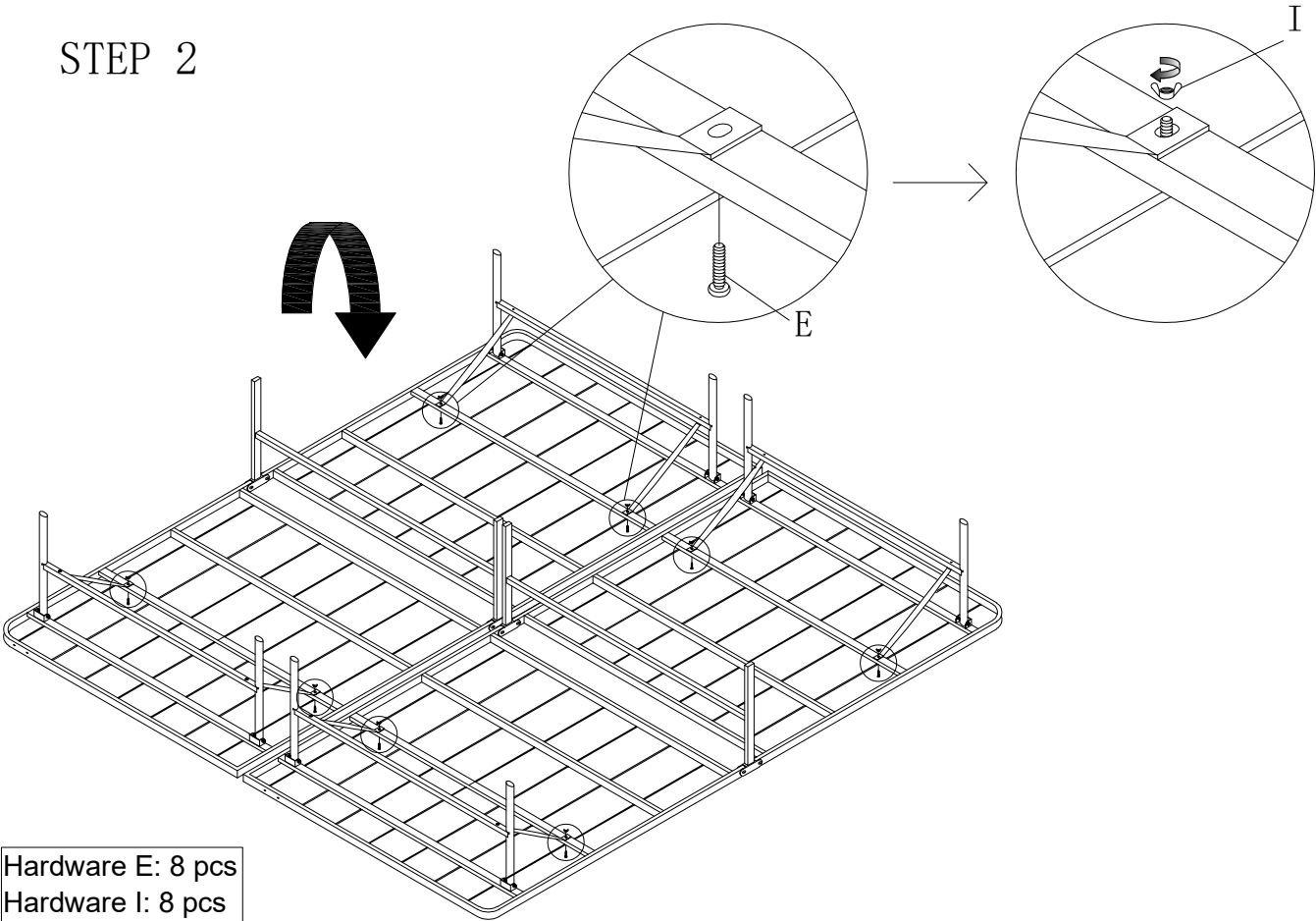
K:Allen Key  
4MM  
X 1PC

## STEP 1



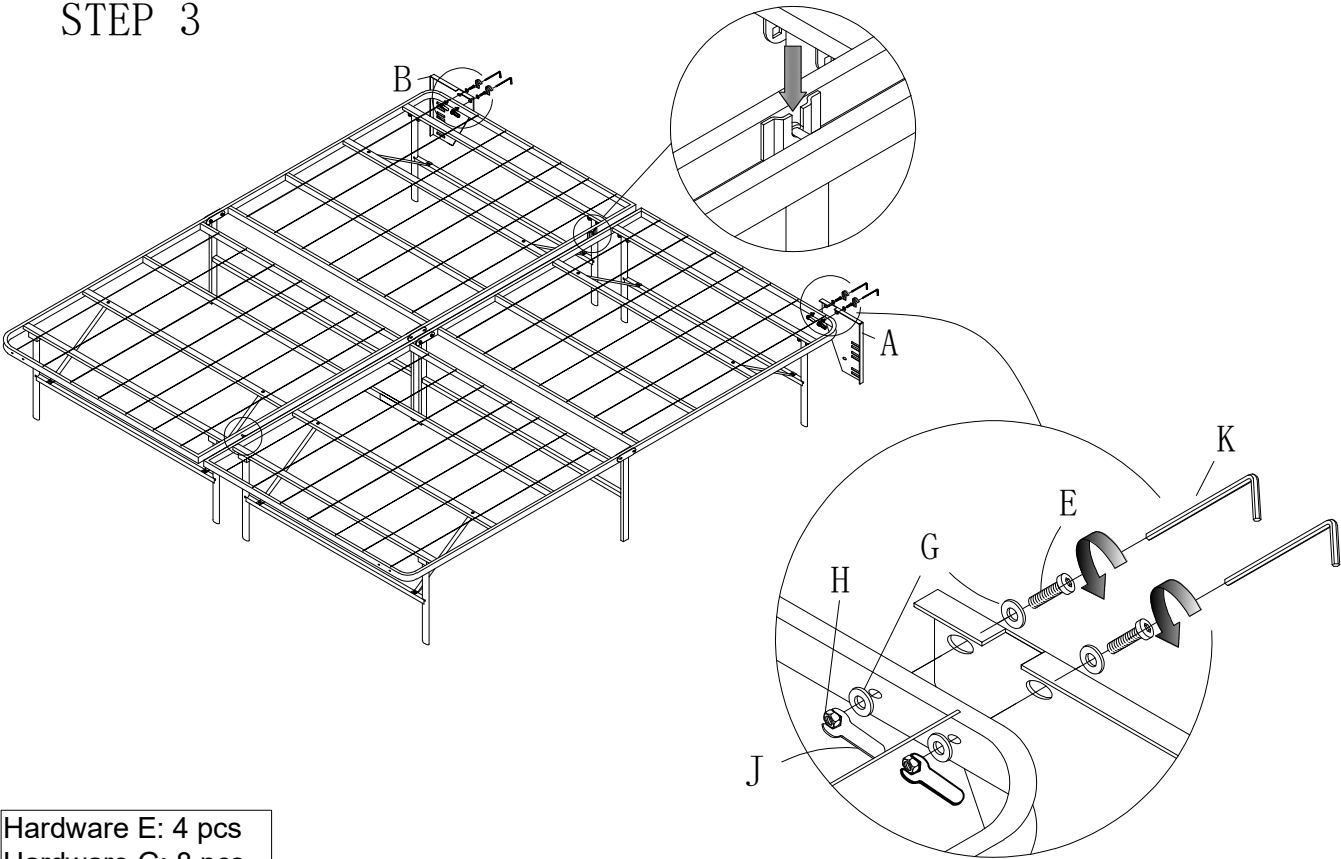
Note: Please do not tighten all bolts until the bed is assembled completely.

STEP 2



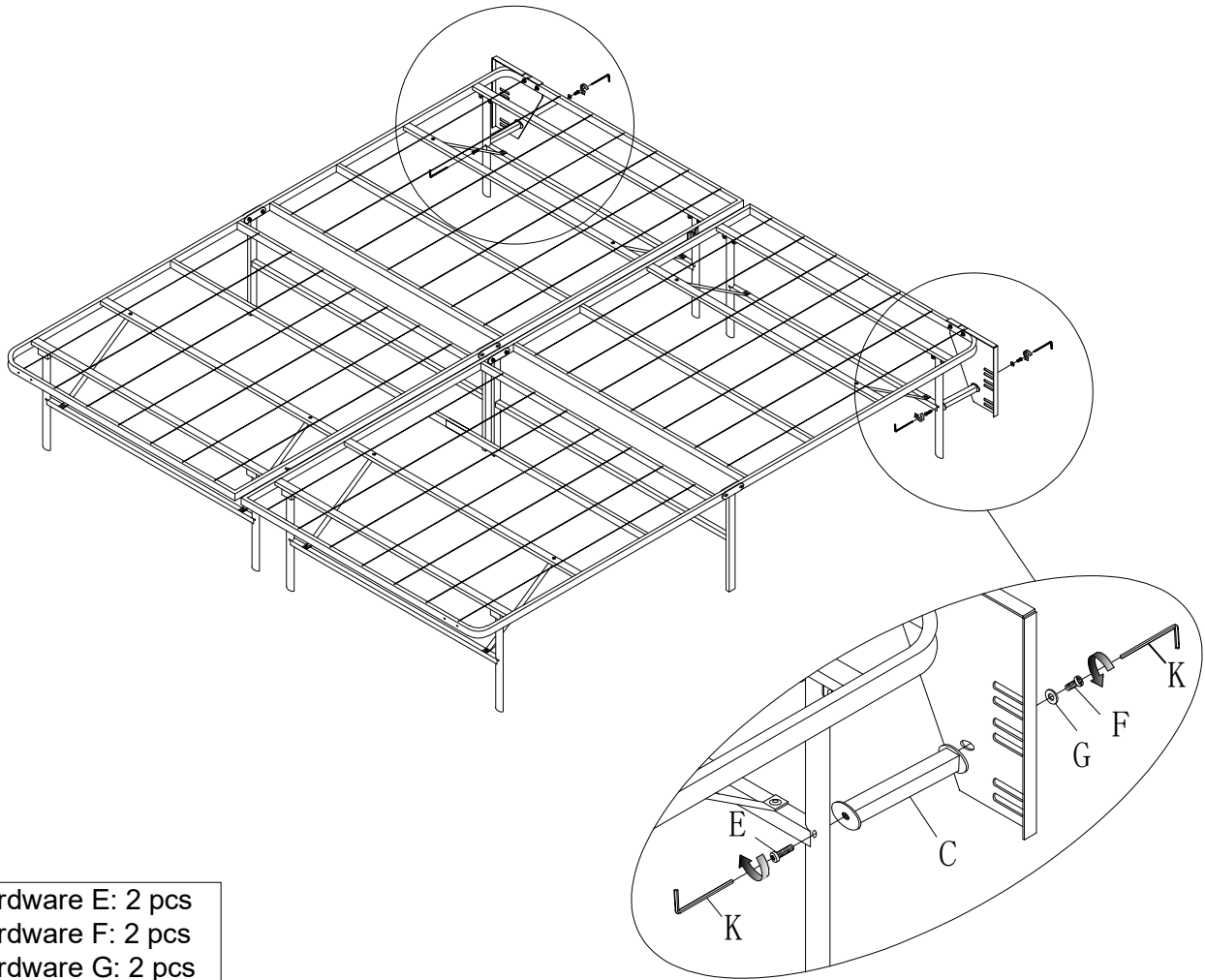
Hardware E: 8 pcs  
Hardware I: 8 pcs

STEP 3



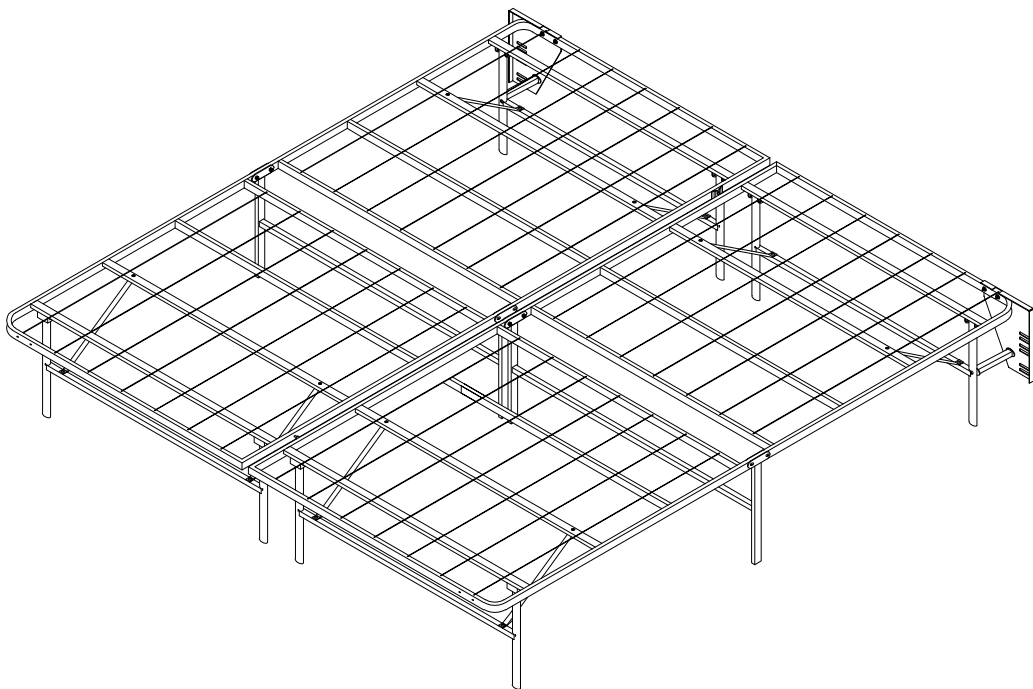
Hardware E: 4 pcs  
Hardware G: 8 pcs  
Hardware H: 4 pcs


# STEP 4



- Hardware E: 2 pcs
- Hardware F: 2 pcs
- Hardware G: 2 pcs

COMPLETED



 For items use on wooden floor, hard surfaces or carpets, it is recommended to install protective pads under all legs and supports to avoid/prevent from damages/scratches and discoloration.