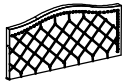


ASSEMBLY INSTRUCTION

SH282KBE-1 (1/1, 1/2) KING HB ONLY, BEIGE FINISH

SH282KCH-1 (1/1, 1/2) KING HB ONLY, CHARCOAL FINISH

HEADBOARD LIST:



A: Headboard Top part 1PC



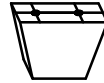
B: Headboard Bottom part 1PC



C: LSF Wing 1PC



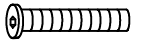
D: RSF Wing 1PC



E: Leg 2PCS



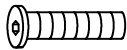
F: Spring Washer 4PCS



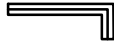
G: Bolt M6*50mm 4PCS



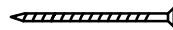
H: Flat Washer 16PCS



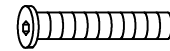
I: Bolt M8*30mm 4PCS



J: Allen Key 5mm 1PC



K: Screw 4.0*60mm 4PCS



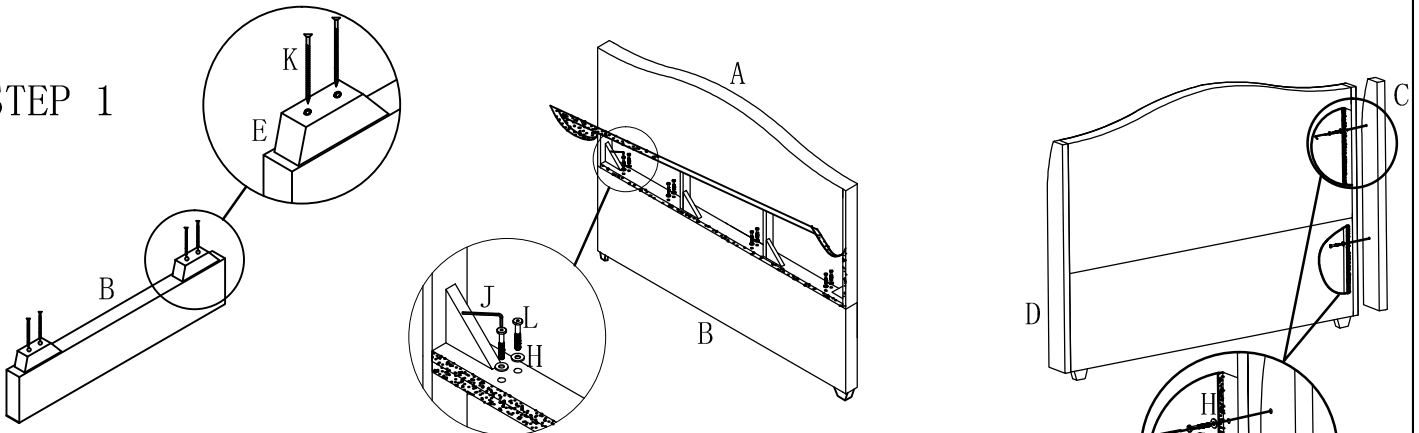
L: Bolt M8*50mm 8PCS



M: Allen Key 4mm 1PC

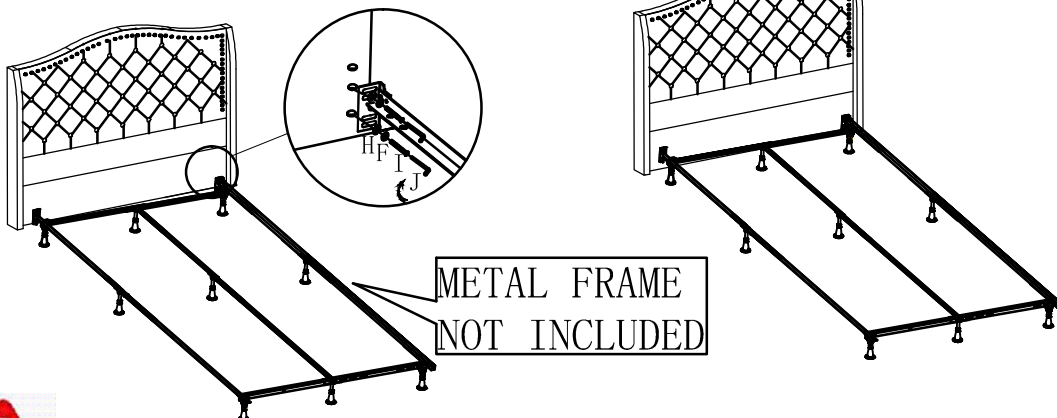
ASSEMBLY INSTRUCTION FOR HEADBOARD ONLY. NOTE: PLEASE DO NOT TIGHTEN ALL BOLTS UNTIL THE BED IS ASSEMBLED COMPLETELY.

STEP 1



STEP 2

COMPLETED



For items use on wooden floor, hard surfaces or carpets, it is recommended to Install protective pads under all legs and supports to avoid/prevent from damages/scratches and discoloration.