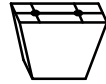
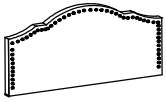


ASSEMBLY INSTRUCTION

SH285KBE-1 (1/1, 1/2) KING HB ONLY, BEIGE FINISH

SH285KCH-1 (1/1, 1/2) KING HB ONLY, CHARCOAL FINISH

HEADBOARD LIST:

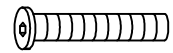
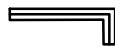
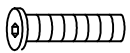


A: Headboard Top part 1PC
B: Headboard Bottom part 1PC

C: Leg 2PCS

D: Spring Washer 4PCS

E: Flat Washer 12PCS



F: Bolt M8*30mm 4PCS

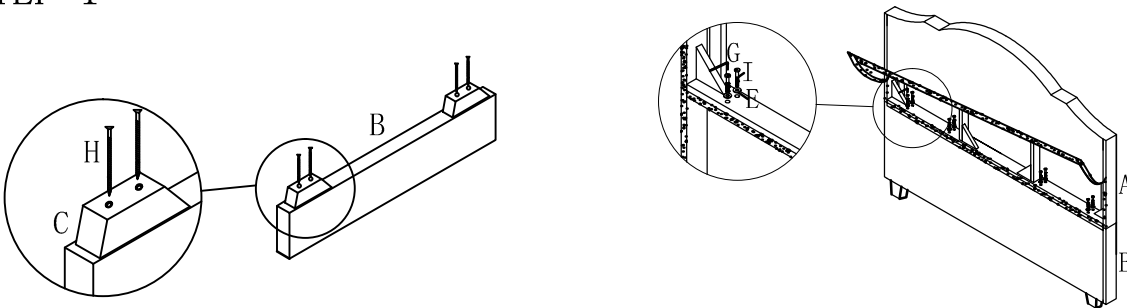
G: Allen Key 5mm 1PC

H: Screw 4.0*60mm 4PCS

I: Bolt M8*50mm 8PCS

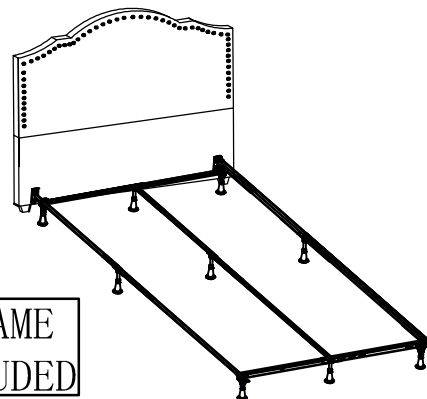
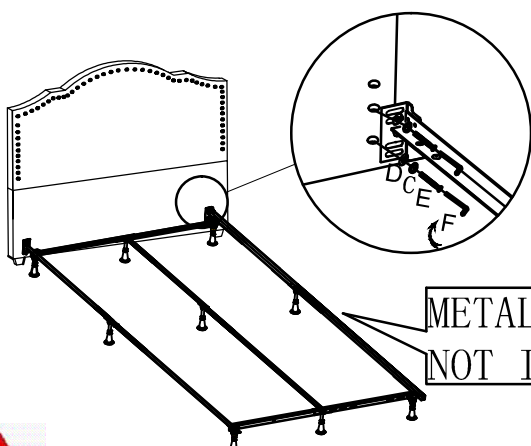
ASSEMBLY INSTRUCTION FOR HEADBOARD ONLY. NOTE: PLEASE DO NOT TIGHTEN ALL BOLTS UNTIL THE BED IS ASSEMBLED COMPLETELY.

STEP 1



STEP 2

COMPLETED



METAL FRAME
NOT INCLUDED



For items use on wooden floor, hard surfaces or carpets, it is recommended to Install protective pads under all legs and supports to avoid/prevent from damages/scratches and discoloration.